

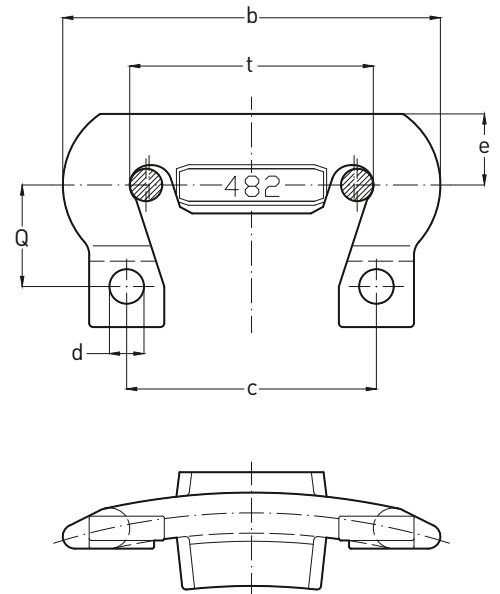


# HEKO special / model chain shackles

## Technological characteristics for chain shackles

HEKO chain shackles are exactly matched to the selected chain execution. This applies to the material quality and hardening depth. For high wear requirements, it is possible to choose between several inductive or case hardened chain executions.

HEKO manufactures different shackle attachments to the client's requirements. There is a huge stock of different executions and dimensions. The mentioned type R is available in two sizes, type 481 with 99 mm pitch for chain 13 x 45, type 482 N with 95 mm pitch for chain 18 x 63. The shackles are made of heat treatable steel with induction hardened contact areas.



### Tempered steel chain shackle

	hardened contact area qualities
	tempered steel
	<b>HEKO 41</b>
Proof stress N/mm <sup>2</sup>	125
Breaking stress N/mm <sup>2</sup>	280
Contact surface hardness min. joint HV 1	600
Hardening depth d min. after etching	0.1 <sub>11</sub>
Hardening depth d min. CHD <sub>21</sub> Rht <sub>31</sub> 550 HV 1	0.06

1) tolerance d-0,01d 2) CHD = case hardening depth 3) Rht = hardening depth

### Abmessungen und Qualitäten der HEKO Kettenbügel Typ R

pitch (mm)	to suit chain (mm)	model	dimensions (mm)					HEKO qualities hardened contact areas
			a	b	c	d	e	<b>HEKO 41</b>
100	13	481	54	140	100	13	26	100
120	18	482	50	186	123	17	35	200

