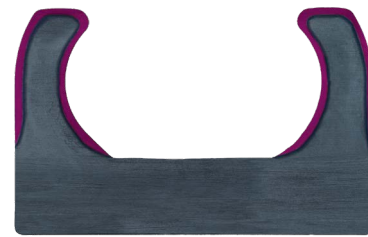


# HEKO Plug-In attachment type SMO / SMG

## Technical Data for HEKO Plug-In attachment type SMO

|   | hardened contact area qualities |  |
|---|---------------------------------|--|
|   | MnCr-steel                      |  |
|   | <b>HEKO 5S</b>                  |  |
| Proof stress N/mm <sup>2</sup>                    | -                               |  |
| Breaking stress N/mm <sup>2</sup>                 | -                               |  |
| Contact surface hardness min. joint HV 1          | 700                             |  |
| Hardening depth d min. after etching              | 0.07 <sub>1)</sub>              |  |
| Hardening depth d min. CHD <sub>2)</sub> 550 HV 1 | 0.04                            |  |

1) tolerance d-0,01d      2) CHD = case hardening depth



## HEKO Plug-In attachment type SMO

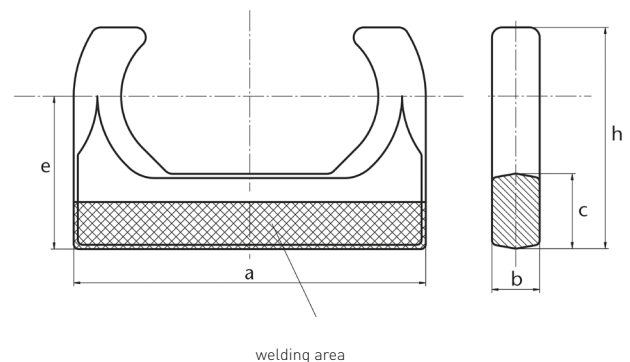
- fast connection to endless chain strand
- variable scraper distance possible
- reversing operation possible
- long service life for tough duties
- fitting to chain without tension
- 2- link connection provides good support
- no transmission of chain tension to scraper
- case hardened
- weldable
- welding rod material MAG, DIN 8559/SG3  
E: DIN 1913E 5154 B10 or similar



## HEKO Plug-In attachment type SMO forged without base plate

| plug-in attachment type | to suit chain nominal diam. x pitch d x t (mm) | dimensions (mm) |    |    |             |     |     | weight (kg/each) |
|-------------------------|--|-----------------|----|----|-------------|-----|-----|------------------|
|                         |  | a               | b  | c  | e           | h   |     |                  |
| SMO                     | 19 x 75  | 156             | 21 | 36 | 69          | 100 | 1.2 |                  |
| SMO                     | 22 x 86  | 182             | 25 | 40 | 80          | 115 | 2.0 |                  |
| SMO                     | 26 x 100                                       | 214             | 30 | 45 | 92          | 135 | 3.3 |                  |
| SMO                     | 30 x 108                                       | 240             | 33 | 55 | 110         | 160 | 5.0 |                  |
| SMO                     | 30 x 120                                       | 252             | 35 | 55 | 110         | 160 | 5.3 |                  |
| SMO                     | 34 x 126                                       | 272             | 38 | 60 | 122         | 177 | 7.0 |                  |
| SMO                     | 34 x 136                                       | 282             | 38 | 60 | 122 <td 177 | 7.2 |     |                  |
| SMO                     | 38 x 144                                       | 309             | 43 | 68 | 137         | 199 | 9.5 |                  |

Additional dimensions and qualities on request.





# HEKO Plug-In attachment type SMO / SMG

## Plug-In attachment type SMG

- fast connection to endless chain strand
- variable scraper centres possible
- reversing operation possible
- long service life for tough duties
- fitting to chain without tension
- 2-link connection provides good support
- no transmission of chain tension to scraper
- case hardened
- Attachments bolted to scraper
- damaged scrapers can easily be removed and attachment can be re-used

### HEKO Plug-In attachment type SMG

| plug-in attachment type | to suit chain nominal diam. x pitch d x t (mm) | dimensions (mm) |     |    |    |     |     |     | weight (kg/each) |
|-------------------------|--|-----------------|-----|----|----|-----|-----|-----|------------------|
|                         |  | a               | b   | c  | e  | h   | m   | n   |                  |
| SMG                     | 19 x 75  | 175             | 60  | 21 | 58 | 90  | M20 | 65  | 2.0              |
| SMG                     | 22 x 86  | 200             | 70  | 25 | 68 | 106 | M20 | 71  | 3.0              |
| SMG                     | 26 x 100                                       | 235             | 80  | 30 | 72 | 116 | M20 | 85  | 4.5              |
| SMG                     | 30 x 120                                       | 280             | 90  | 35 | 85 | 136 | M24 | 98  | 6.7              |
| SMG                     | 34 x 136                                       | 320             | 100 | 38 | 98 | 155 | M27 | 110 | 10.0             |

Additional dimensions and qualities on request.



HEKO Plug-In attachment type SMG

