



# HEKO round link chains (DIN) Chain wheels, toothed

HEKO manufactures chain wheels in all dimensions and executions. Due to a large number of variants, practically every chain wheel is unique. Furthermore, HEKO manufactures as per individual specification given by the client.

Modern CNC machining centres and automatic lathes are used for the mechanical processing of sprockets, chain rollers, idler rollers and shafts.



## HEKO chain wheels, toothed, in steel, replaceable type GTA, GIA-3 and GIA

Due to hardened chain contact areas an excellent wear resistance is achieved.  
Easy maintenance due to replaceable toothed segments



**HEKO chain wheels GTA**

Suitable for drive wheels and higher loads

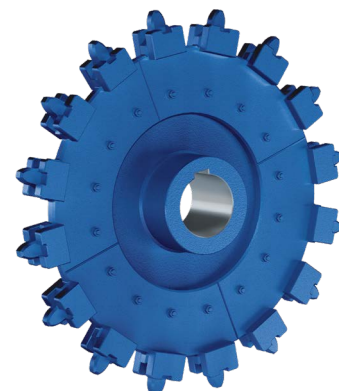
- For rear wall mounted buckets



**HEKO chain wheels GIA-3**  
suitable for chain wire diameters from 18 mm

Suitable for drive wheels with higher loads

- Suitable for side wall mounted buckets
- 3 part toothed segments



**HEKO chain wheels GIA**  
suitable for chain wire diameters up to 26 mm

Suitable for drive wheels with medium loads

- Suitable for side wall mounted buckets



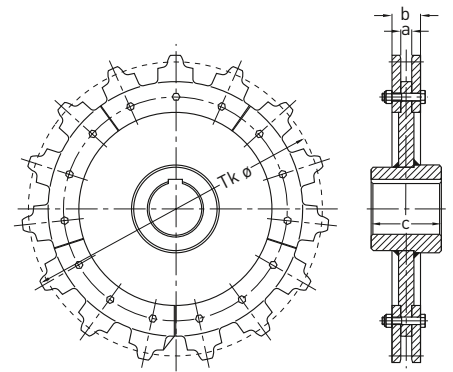
# HEKO

## round link chains (DIN)

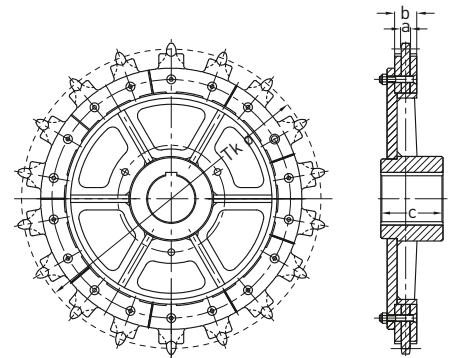
### Chain wheels, toothed

#### Dimensions and technical data for HEKO chain wheels type GTA, GIA-3 and GIA

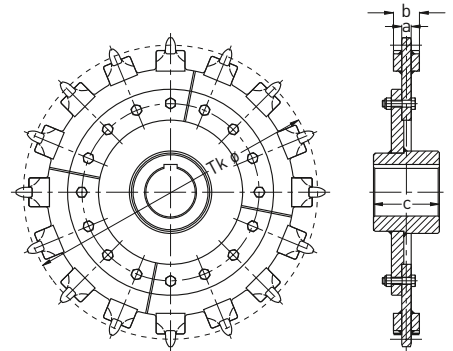
PCD (mm)	to suit chain nominal diameter (mm)	DIN	number of teeth	dimensions (mm)					weight ca. (kg/each)
				a		b		c	
				GTA	GIA-3/ GIA	GTA	GIA-3/ GIA		
Tk Ø	d x t								
402	10 x 35	764	18	15		45		80	30
446			20	15		45		80	33
513			23	15		45		80	35
402	13 x 45	764	14	18	15	48	45	100	40
516			18	18	15	48	45	100	60
631			22	18	15	48	45	100	70
500	16 x 56	764	14	21	18	57	54	130	70
643			18	21	18	57	54	130	105
714			20	21	18	57	54	130	135
523	18 x 63	764	13	23	20	63	56	140	75
643			16	23	20	63	56	140	110
723			18	23	20	63	56	140	140
625	20 x 70	764	14	25	23	65	63	150	105
714			16	25	23	65	63	150	150
803			18	25	23	65	63	150	180
715	23 x 80	764	14	28	27	78	73	150	175
816			16	28	27	78	73	150	210
918			18	28	27	78	73	150	255
697	26 x 91	764	12	32	30	82	80	180	190
813			14	32	30	82	80	180	230
928			16	32	30	82	80	180	310
804	30 x 105	764	12	36	35	96	95	200	240
938			14	36	35	96	95	200	350
1071			16	36	35	96	95	200	420
965	36 x 126	764	12	42	40	112	110	220	380
1125			14	42	40	112	110	220	520
1285			16	42	40	112	110	220	690
1042	39 x 136	764	12	46	45	116	115	240	520
1215			14	46	45	116	115	240	630
1388			16	46	45	116	115	240	780
1126	42 x 147	764	12	50	50	130	120	250	620
1313			14	50	50	130	120	250	820
1406			15	50	50	130	120	250	950



HEKO chain wheel type GTA



HEKO chain wheel type GIA-3



HEKO chain wheel type GIA

Chain wheels type GTA are also available for chains to DIN 766 and works standard.  
The pitch of the chain and shackle must be the same.  
Tk = pitch circle diam. (PCD), d = diameter, c = hub length, t = pitch. Other types, dimensions or qualities on request.