

HEKO round link chains (ENDLESS) Chain wheels, toothless

HEKO manufactures chain wheels in all dimensions and executions.

Due to a large number of variants, practically every chain wheels is unique.

Furthermore, HEKO manufactures as per individual specification given by the client.

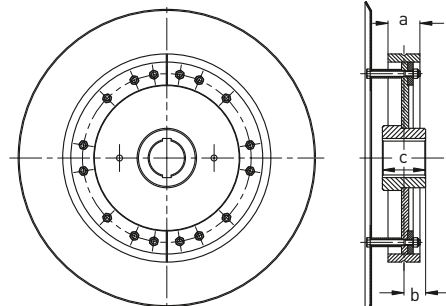
Modern machining centres and automatic lathes are used for the mechanical processing of sprockets, chain rollers, idler rollers and shafts.

HEKO tension roller type BS with replaceable tread made of special alloy steel

Tension roller with replaceable tread and corresponding bucket guide disc are manufactured from a special steel alloy. In case of support diameter up to 1010 mm, the diameter of the bucket guide disc is 400 mm bigger than the diameter of the tension roller. In case of support diameter bigger than 1110 mm, the diameter of the bucket guide disc is 500 mm bigger than the tension roller.

Support Diameter (mm)	dimensions (mm)			weight ca. (kg/each)
	a	b	c	
540	110	70	140	100
575	100	70	140	125
630	100	70	140	135
730	120	70	140	170
800	120	80	160	210
870	140	80	160	250
980	190	80	160	320
1095	190	80	160	450
1160	195	100	200	500
1280	195	100	200	560
1550	195	110	220	650

PCD = pitch circle diameter; d = diameter; t = pitch; c = length of hub;
Further dimensions and qualities on request



HEKO tension roller type BS with replaceable tread made of special alloy steel