

# Deasher HEKO drive wheel

HEKO manufactures sprockets in all dimensions and designs.  
With a large number of sprockets, each sprocket is unique.  
HEKO adapts to individual customer requirements and manufactures every version to order.

Modern CNC machining centres and automatic lathes are used for the mechanical processing of sprockets, chain rollers, idler rollers and shafts.

## Chain wheels with projecting teeth, in steel, with replaceable rim segments, type GIA-3 and GIA

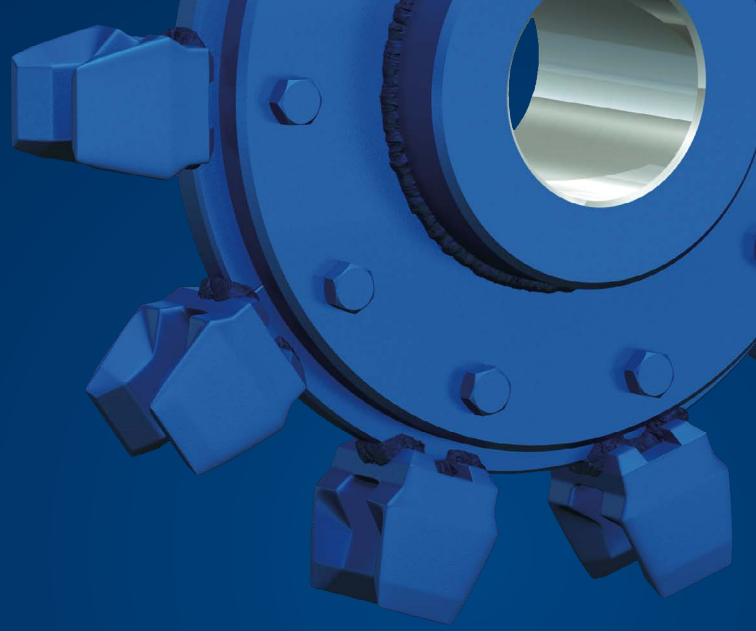
- Suitable for heavy-duty drives
- Excellent service life due to a hardened contact surface
- Bore diameter and hub length according to customer requirements
- Use with chains according to DIN 764 and WN
- Use with chain brackets, SMO drivers and some special solutions
- Reduced maintenance costs thanks to replaceable sprockets



HEKO chain wheel type GIA-3



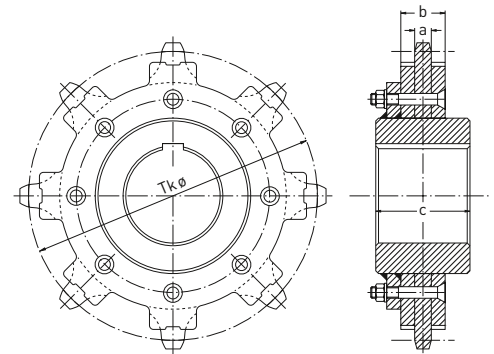
HEKO chain wheel type GIA



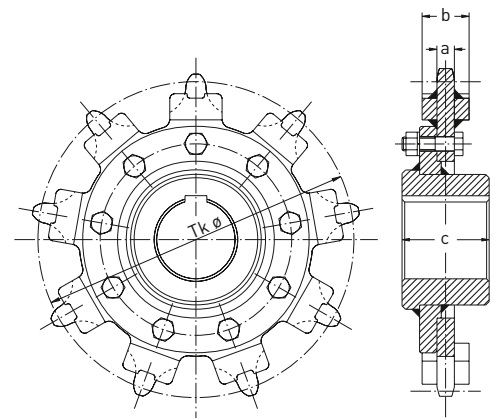
# Deasher HEKO drive wheel

Dimensions and technical data for chain wheels with projecting teeth (inside toothed)  
with replaceable tooth segments, type GIA-3 type GIA-3 and GIA

| PCD<br>(mm) | to suit chain,<br>nominal x pitch<br>(mm) | DIN | Number<br>of teeth | dimensions<br>(mm) |     |     | weight ca.<br>(kg/each) |     |
|-------------|---|-----|--------------------|--------------------|-----|-----|-------------------------|-----|
|             |   |     |                    | a                  | b   | c   | GIA-3                   | GIA |
| Tk Ø        | d x t                                     |     |                    |                    |     |     |                         |     |
| 384         | 19 x 75                                   | WN  | 8                  | 20                 | 60  | 140 | 51                      | 32  |
| 432         | 19 x 75                                   | WN  | 9                  | 20                 | 60  | 140 | 70                      | 42  |
| 479         | 19 x 75                                   | WN  | 10                 | 20                 | 60  | 140 | 90                      | 52  |
| 574         | 19 x 75                                   | WN  | 12                 | 20                 | 60  | 140 | 125                     | 77  |
| 315         | 20 x 70                                   | 764 | 7                  | 23                 | 63  | 140 | 29                      | 22  |
| 359         | 20 x 70                                   | 764 | 8                  | 23                 | 63  | 140 | 48                      | 29  |
| 403         | 20 x 70                                   | 764 | 9                  | 23                 | 63  | 140 | 60                      | 36  |
| 447         | 20 x 70                                   | 764 | 10                 | 23                 | 63  | 140 | 72                      | 43  |
| 386         | 22 x 86                                   | WN  | 7                  | 25                 | 71  | 140 | 54                      | 41  |
| 441         | 22 x 86                                   | WN  | 8                  | 25                 | 71  | 140 | 68                      | 48  |
| 495         | 22 x 86                                   | WN  | 9                  | 25                 | 71  | 140 | 100                     | 52  |
| 550         | 22 x 86                                   | WN  | 10                 | 25                 | 71  | 140 | 127                     | 55  |
| 410         | 23 x 80                                   | 764 | 8                  | 27                 | 73  | 160 | 65                      | 51  |
| 461         | 23 x 80                                   | 764 | 9                  | 27                 | 73  | 160 | 80                      | 72  |
| 511         | 23 x 80                                   | 764 | 10                 | 27                 | 73  | 160 | 95                      | 85  |
| 466         | 26 x 91                                   | 764 | 8                  | 30                 | 80  | 160 | 100                     | 75  |
| 524         | 26 x 91                                   | 764 | 9                  | 30                 | 80  | 160 | 128                     | 80  |
| 582         | 26 x 91                                   | 764 | 10                 | 30                 | 80  | 160 | 146                     | 90  |
| 513         | 26 x 100                                  | WN  | 8                  | 30                 | 80  | 160 | 130                     | 120 |
| 576         | 26 x 100                                  | WN  | 9                  | 30                 | 80  | 160 | 155                     | 135 |
| 538         | 30 x 105                                  | 764 | 8                  | 35                 | 95  | 200 | 142                     | 120 |
| 605         | 30 x 105                                  | 764 | 9                  | 35                 | 95  | 200 | 182                     | 140 |
| 615         | 30 x 120                                  | WN  | 8                  | 35                 | 95  | 200 | 208                     | 160 |
| 691         | 30 x 120                                  | WN  | 9                  | 35                 | 95  | 200 | 280                     | 190 |
| 646         | 34 x 126                                  | WN  | 8                  | 35                 | 105 | 200 | 220                     | 175 |
| 726         | 34 x 126                                  | WN  | 9                  | 35                 | 105 | 200 | 295                     | 200 |
| 697         | 34 x 136                                  | WN  | 8                  | 35                 | 105 | 200 | 292                     | 190 |
| 783         | 34 x 136                                  | WN  | 9                  | 35                 | 105 | 200 | 380                     | 220 |
| 646         | 36 x 126                                  | 764 | 8                  | 40                 | 110 | 220 | 255                     | 190 |
| 726         | 36 x 126                                  | 764 | 9                  | 40                 | 110 | 220 | 310                     | 220 |
| 738         | 38 x 144                                  | WN  | 8                  | 40                 | 110 | 220 | 320                     |     |
| 829         | 38 x 144                                  | WN  | 9                  | 40                 | 110 | 220 | 370                     |     |
| 697         | 39 x 136                                  | 764 | 8                  | 45                 | 115 | 220 | 300                     |     |
| 783         | 39 x 136                                  | 764 | 9                  | 45                 | 115 | 220 | 395                     |     |
| 753         | 42 x 147                                  | 764 | 8                  | 50                 | 120 | 220 | 430                     |     |
| 847         | 42 x 147                                  | 764 | 9                  | 50                 | 120 | 220 | 450                     |     |

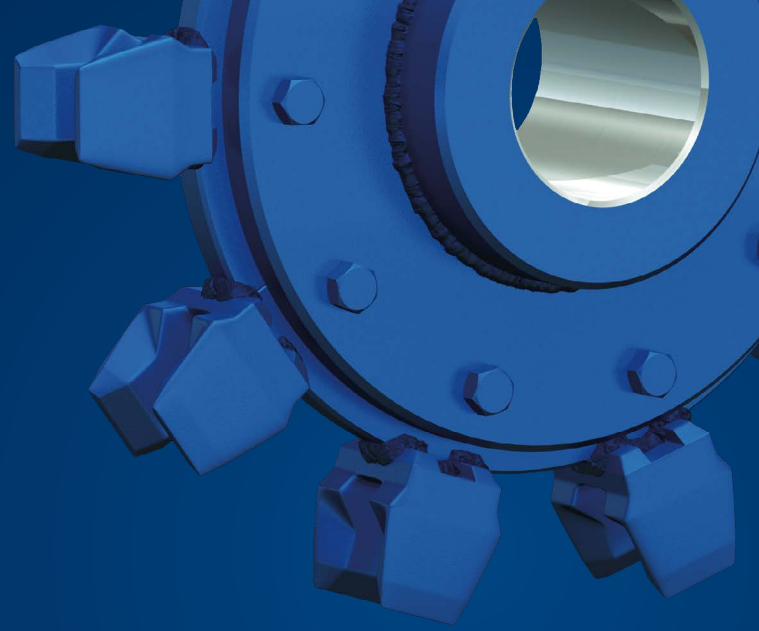


HEKO chain wheel type GIA-3, projecting teeth,  
replaceable toothed



Chain wheel type GIA, projecting teeth,  
replaceable toothed rim with welded chain support

Other dimensions and qualities on request, PCD = pitch circle diameter; WN = works standard



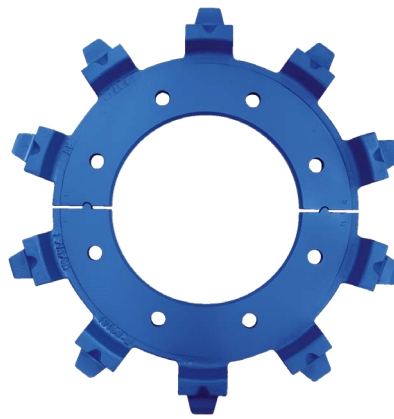
# Deasher HEKO drive wheel

## HEKO chain wheels, projecting teeth, replaceable teeth type RIS/VIA

- Suitable for heavy-duty drives
- Excellent service life due to a hardened contact surface
- Replaceable, wear-resistant individual teeth or toothed segments
- Mid-wear-teeth for worn chain possible
- Can be manufactured to suit existing hubs
- Can be supplied as a complete assembly



HEKO chain wheel type RIS



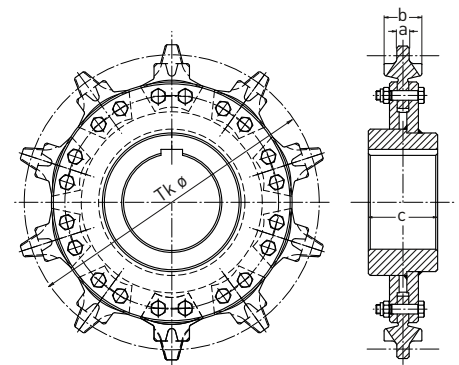
HEKO toothed rim type VIA



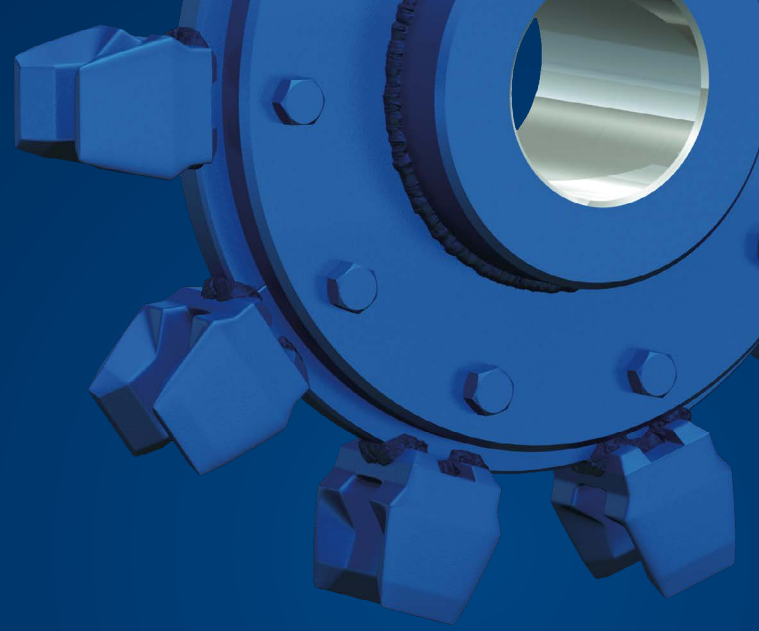
HEKO single tooth type RIS

| PCD (mm) | to suit chain, nominal x pitch (mm) | DIN | Number of teeth | dimensions (mm) |     |     | weight ca. (kg/each) |
|----------|-------------------------------------|-----|-----------------|-----------------|-----|-----|----------------------|
|          |                                     |     |                 | a               | b   | c   |                      |
| Tk Ø     | d x t                               |     |                 |                 |     |     |                      |
| 615      | 30 x 120                            | WN  | 8               | 32              | 98  | 200 | 190                  |
| 691      | 30 x 120                            | WN  | 9               | 32              | 98  | 200 | 210                  |
| 767      | 30 x 120                            | WN  | 10              | 32              | 98  | 200 | 290                  |
| 697      | 34 x 136                            | WN  | 8               | 40              | 110 | 220 | 220                  |
| 783      | 34 x 136                            | WN  | 9               | 40              | 110 | 220 | 260                  |
| 869      | 34 x 136                            | WN  | 10              | 40              | 110 | 220 | 300                  |

Other dimensions and qualities on request, PCD = pitch circle diameter; WN = works standard



HEKO chain wheels, projecting teeth, replaceable rim type RIS/VIA



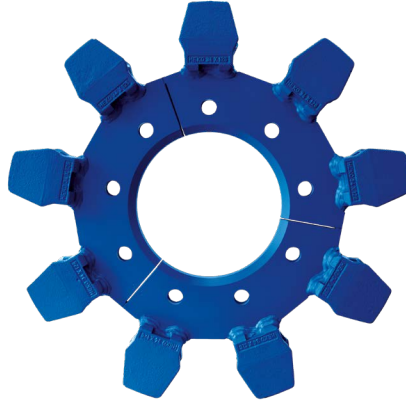
# Deasher HEKO drive wheel

## HEKO chain wheels, pocket teeth, replaceable rim type RTS

- Suitable for heavy-duty drives
- Excellent service life due to a hardened contact surface
- Replaceable, wear-resistant toothed rims
- Mid-wear-teeth for worn chain possible
- Can be manufactured to suit existing hubs



HEKO chain wheel type RTS



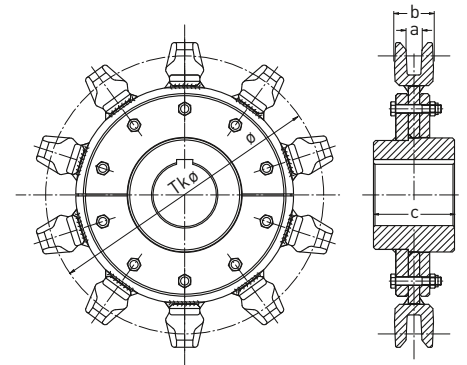
HEKO toothed rim type RTS



HEKO single tooth type RTS

| PCD (mm) | to suit chain, nominal x pitch (mm) | DIN | Number of teeth | dimensions (mm) |     |     | weight ca. (kg/each) |
|----------|-------------------------------------|-----|-----------------|-----------------|-----|-----|----------------------|
|          |                                     |     |                 | a               | b   | c   |                      |
| Tk ø     | d x t                               |     |                 |                 |     |     |                      |
| 441      | 22 x 86                             | WN  | 8               | 27              | 77  | 140 | 55                   |
| 495      | 22 x 86                             | WN  | 9               | 27              | 77  | 140 | 72                   |
| 550      | 22 x 86                             | WN  | 10              | 27              | 77  | 140 | 80                   |
| 472      | 26 x 92                             | WN  | 8               | 33              | 85  | 160 | 85                   |
| 530      | 26 x 92                             | WN  | 9               | 33              | 85  | 160 | 90                   |
| 588      | 26 x 92                             | WN  | 10              | 33              | 85  | 160 | 110                  |
| 554      | 30 x 108                            | WN  | 8               | 40              | 117 | 180 | 140                  |
| 622      | 30 x 108                            | WN  | 9               | 40              | 117 | 180 | 170                  |
| 690      | 30 x 108                            | WN  | 10              | 40              | 117 | 180 | 210                  |
| 646      | 34 x 126                            | WN  | 8               | 44              | 122 | 220 | 205                  |
| 726      | 34 x 126                            | WN  | 9               | 44              | 122 | 220 | 230                  |
| 805      | 34 x 126                            | WN  | 10              | 44              | 122 | 220 | 260                  |
| 697      | 34 x 136                            | WN  | 8               | 44              | 122 | 220 | 220                  |
| 783      | 34 x 136                            | WN  | 9               | 44              | 122 | 220 | 245                  |
| 869      | 34 x 136                            | WN  | 10              | 44              | 122 | 220 | 280                  |

Other dimensions and qualities on request, PCD = pitch circle diameter; WN = works standard



HEKO chain wheels, pocket teeth, replaceable rim type RIS/VIA