



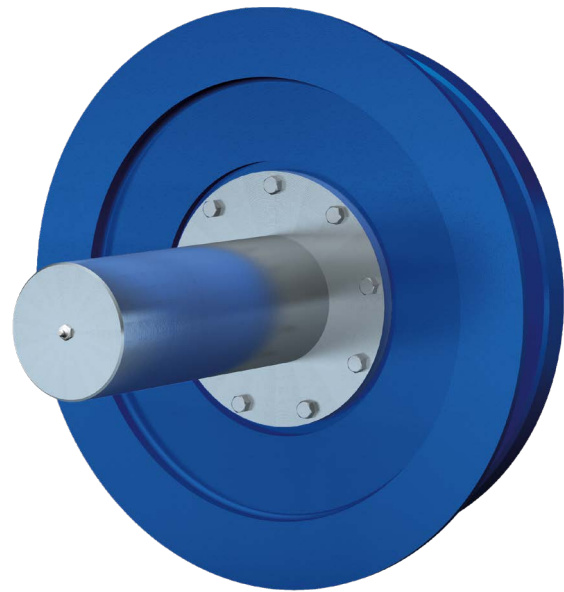
# Deasher HEKO drive wheel Idling unit toothless

HEKO manufactures sprockets in all dimensions and designs.  
With a large number of sprockets, each sprocket is unique.  
HEKO adapts to individual customer requirements and manufactures every version to order.

Modern CNC machining centres and automatic lathes are used for the mechanical processing of sprockets, chain rollers, idler rollers and shafts.

## HEKO tensioning wheel type VUE I

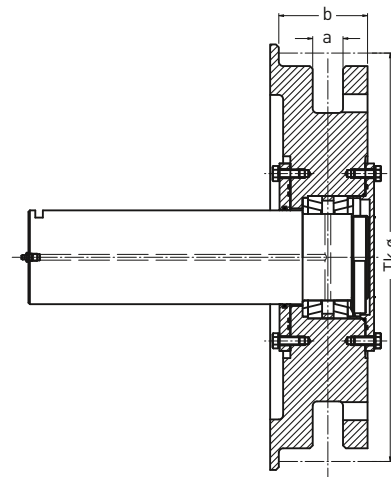
- Used for tensioning units
- With a sealing system and shaft
- For all chain sizes
- For HEKO TS and SMO
- Hardened rim surface for long service life



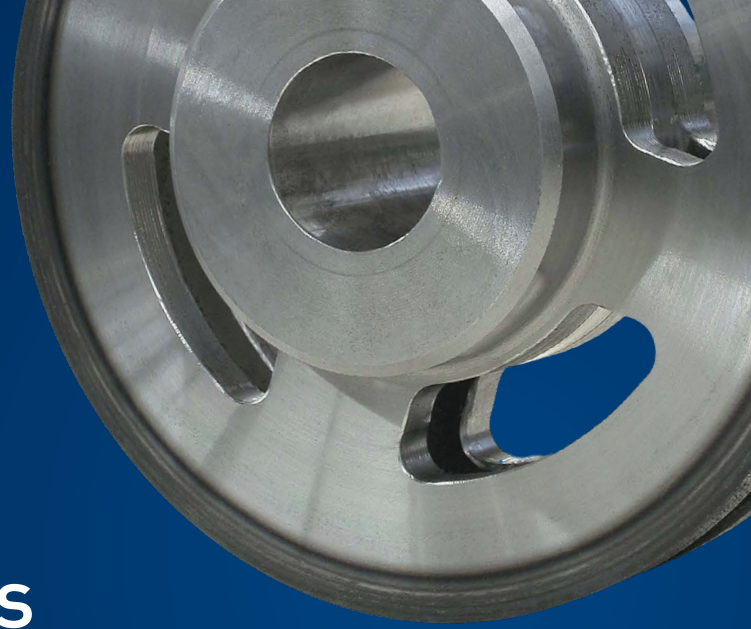
Dimensions for HEKO standard support wheels type VUE I,  
welded steel construction or one-piece-turned construction

PCD (mm)	to suit chain, nominal x pitch (mm)	dimensions (mm)		Weight (kg/each)
		a	b	
Tk Ø	d			
400	19	24	83	100
400	22	27	92	112
400	26	32	107	112
538	30	36	113	150
566	30	36	113	160
538	34	42	127	185
566	36	42	136	195
566	42	50	155	240

Further dimensions and qualities on request; PCD = pitch circle diameter



HEKO tensioning wheel type VUE I



# Deasher HEKO drive wheel Idling unit toothless

## HEKO steel idling wheels, type GUE and VUE

- Suitable dry sections of the SSC
- Large cleaning openings
- Supplied with or without outside guide disc
- For all chain dimensions
- Small wheels machined from one piece (VUE)
- otherwise welded construction (GUE)
- Suitable for HEKO system TS and SMO and some customized attachments
- Rim surface hardened for long service life

PCD (mm)	to suit chain, nominal x pitch (mm)	dimensions (mm)			Weight (kg/each)
		a	b	c	
Tk Ø	d				
400	19	24	64	140	54
400	22	27	73	140	57
400	26	32	82	160	60
522	26	32	82	160	80
522	30	36	96	200	100
526	34	42	112	200	160
522	36	42	112	220	165
650	42	50	130	220	200

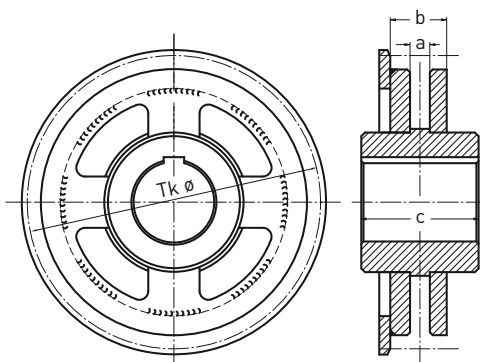
Further dimensions and qualities on request; PCD = pitch circle diameter



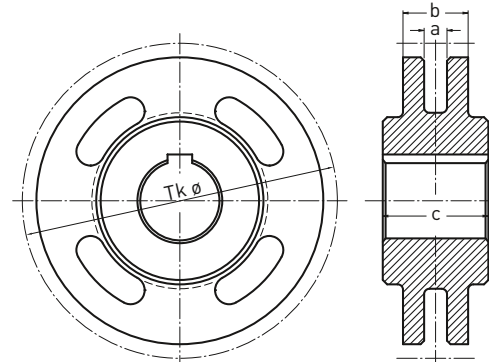
HEKO steel idling wheel type GUE I



HEKO steel idling wheel type VUE



HEKO steel chain wheels, toothless, type GUE I



HEKO steel idling wheels type VUE