



Deasher HEKO underwater unit (UWE)

HEKO manufactures sprockets in all dimensions and designs.
With a large number of sprockets, each sprocket is unique.
HEKO adapts to individual customer requirements and manufactures every version to order.

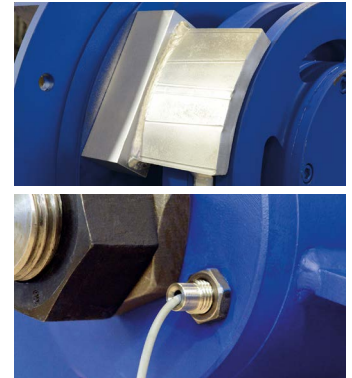
Modern CNC machining centres and automatic lathes are used for the mechanical processing of sprockets, chain rollers, idler rollers and shafts.

HEKO idling wheels, type UWE

- For use in submerged scraper conveyor
- With a sealing system for use underwater
- Installation from the outside of the SSC
- Optional with electronic rotation control sensor
- For all chain sizes
- For HEKO systems TS and SMO
- With and without casing flange
- Chain contact area hardened for excellent service time
- Optional with cleaning finger for the idler groove
- Optimized sealing system



HEKO support and snub wheel type UWE with mounting flange

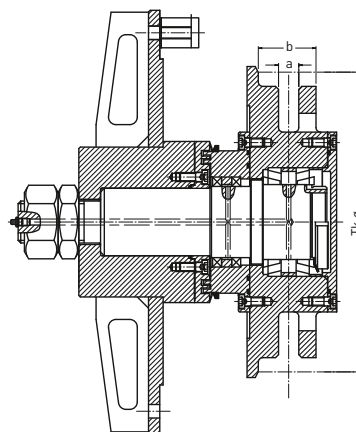


Rotation monitor / Cleaning finger

Dimensions for HEKO standard support wheels type UWE, welded steel construction or one-piece-turned construction

PCD (mm)	to suit chain, nominal x pitch (mm)	dimensions (mm)		Weight (kg/each)
		a	b	
Tk Ø	d			
400	19	24	83	100
400	22	27	92	112
400	26	32	107	112
511	30	36	113	130
566	30	36	113	150
560	34	42	127	185
566	36	42	136	195
650	42	50	155	240

Further dimensions and qualities on request; PCD = pitch circle diameter



HEKO support and snub wheel type UWE



HEKO support and snub wheel type UWE without mounting flange