

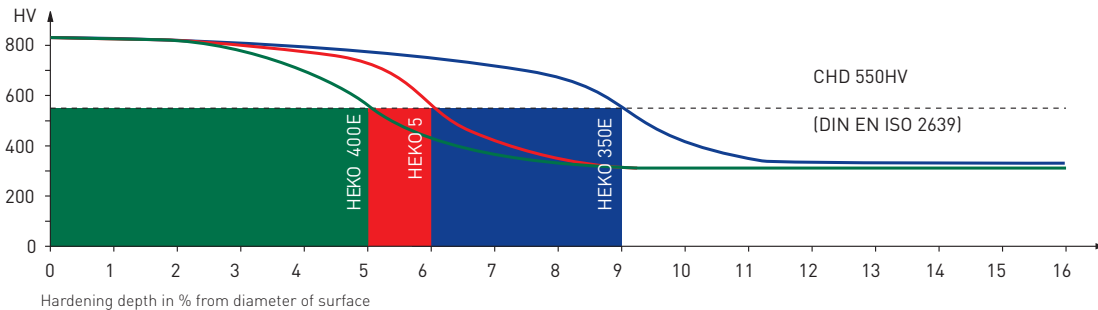
Coal feeder with round link chain HEKO component

HEKO Quality and case hardening

HEKO case hardening means:

- High wear resistance resulting from a surface hardness in excess of 800 HV
- high fatigue strength
- High breaking load resulting from a tough, fine grain core
- high dimensional accuracy

Technical data for Chrome-Nickle or Chrome-Nickle-Molybdenum chain steel



HEKO has utilised a special case hardening process for decades and has been at the forefront in the further development of hardening technology. Modern technology employed nowadays results in an excellent wear resistance of the chains.

The quality of case hardening achieved in our vacuum ovens with Helium quenching is currently leading this technology worldwide.

Technical data for HEKO chain qualities

	case hardened qualities CrNi-steel/CrNiMo-steel		
	HEKO 400E	HEKO 5	HEKO 350E
Proof stress N/mm ²	240	150	210
Breaking stress N/mm ²	450 _{1,2)}	370 ₇₎	350 ₁₎
Contact surface hardness min. joint HV 1	825	825	825
Case hardening depth d+/-0.01 d after etching	0,09	0,10	0,14 ₃₎
Case hardening depth d min. CHD _{d)} 550	0,05	0,06 ₄₎	0,09 ₅₎

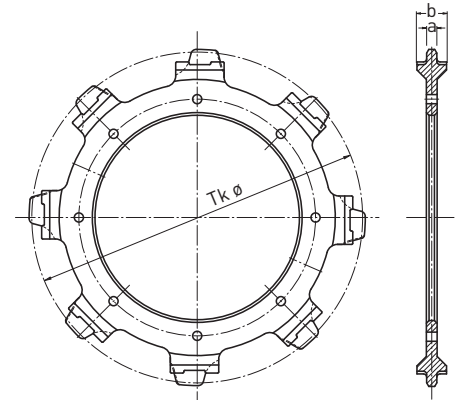
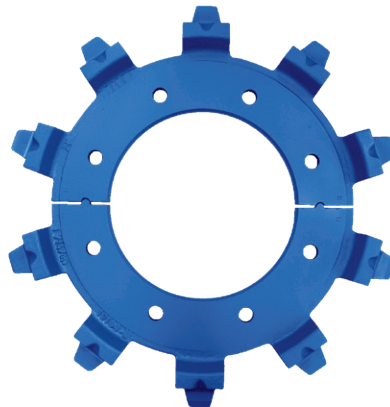
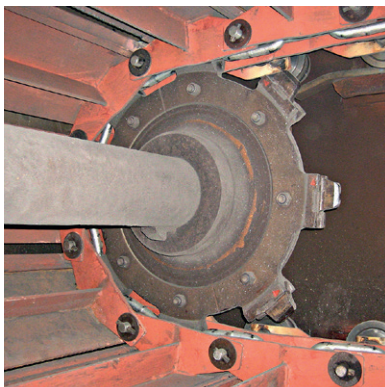
1) tolerance 10%
 2) up to
 3) 30 mm Ø = 0,12 d,
 34 mm Ø = 0,115 d,
 36-42 mm Ø = 0,11 d

4) > 30 mm Ø = 0,05 d
 5) 30 mm Ø = 0,08 d,
 34 mm Ø = 0,075 d,
 36-42 mm Ø = 0,07 d

6) CHD = Case hardening depth
 7) > 30 mm Ø = tolerance 20%

Coal feeder

- Scrapers and other components can be manufactured to suit client requirements
- Suitable chain wheels can be supplied solid or with replaceable parts
- Different chain locks can be supplied
- Compact cleaning scrapers can be supplied for small chain Pitches
- Many different attachments for scrapers are available

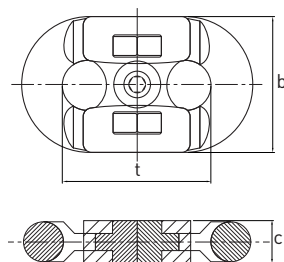


HEKO toothed rim type VIA

Dimensions and qualities

nominal thickness x pitch (mm)	DIN chain	weight (kg/each)	inside width min. b1	outside width max. b2	case hardened HEKO qualities		
					HEKO 400E MBK (kN)	HEKO 5 MBK (kN)	HEKO 350E MBK (kN)
d x t							
14 x 50	WN	4.1	16.3	47.0	140	114	108
14 x 64	WN	3.7	16.3	47.0	140	114	108
16 x 64	WN	5.1	20.0	55.0	180	148	140
19 x 120	WN	6.3	23.0	64.5	260	210	198

Other dimensions and qualities on request, WN = works standard; MBK = Min. breaking load



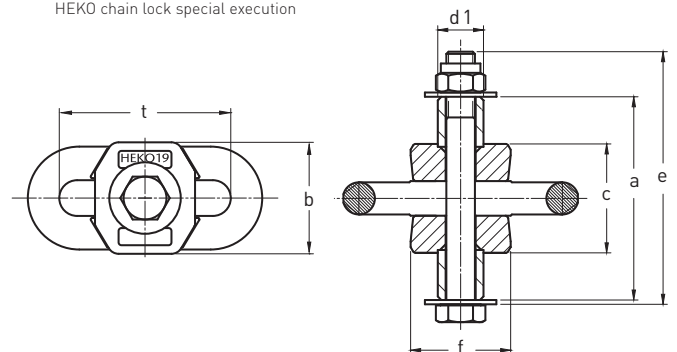
Chain lock type HR



HEKO chain lock special execution

HEKO chain locks

corresponding chain nominal thickness x pitch (mm) d x t	dimensions (mm)						weight (kg/each)	type
	b	c	f	a	∅ d1	e		
14 x 50	47	15.0					0.25	HR
14 x 64	47	15.0					0.25	HR
16 x 64	56	17.5					0.50	HR
19 x 120	70	67.0	61	133	32	160	2.50	HV



Dimension to suit HEKO drawings, HR = space-saving arrangement; HV = cuboid arrangement