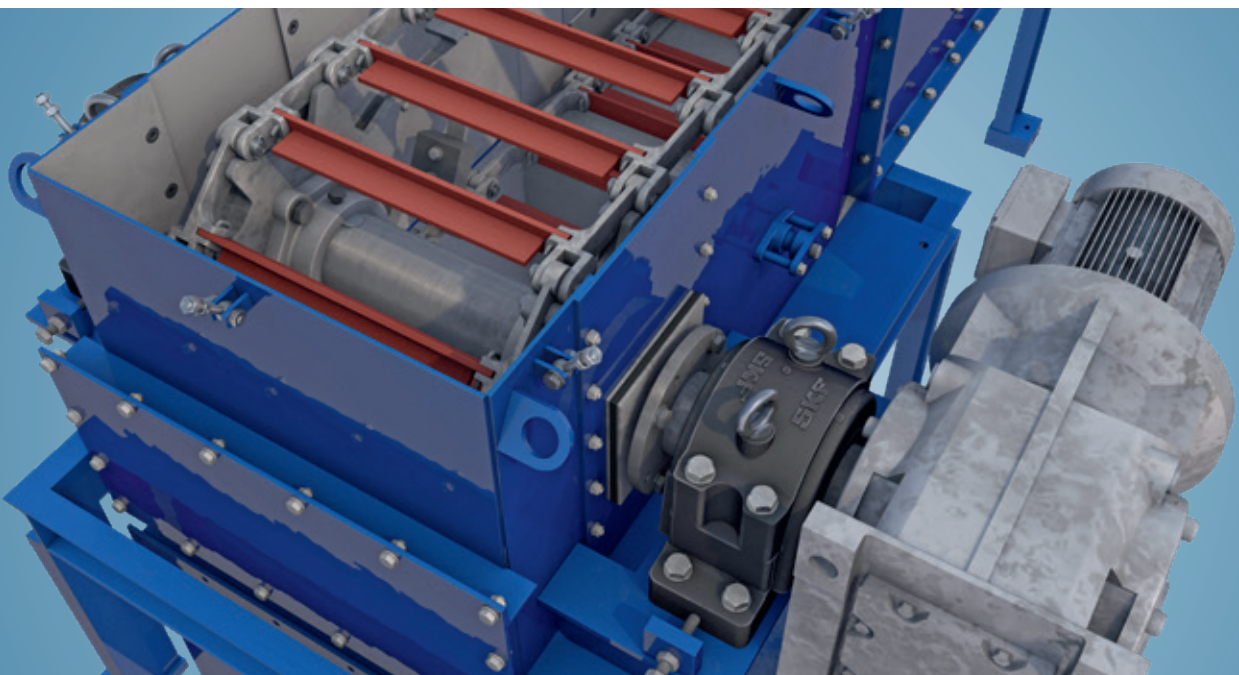


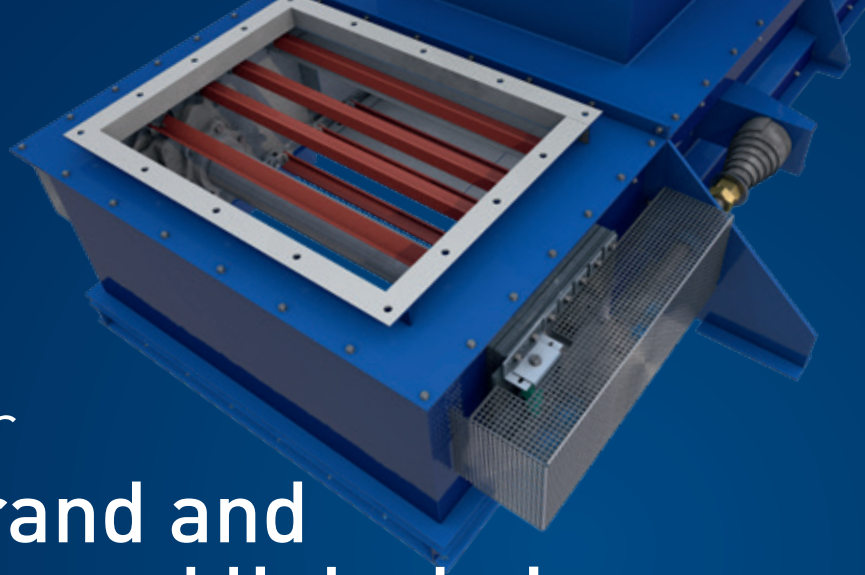
GLK-Coal feeder HEKO single-strand and double-strand forged link chain

Forged link chains, scrapers and chain wheels for single-strand or double-strand conveyors

Fork link chains are subject to robust conditions of use, as these continuously affect the properties of the material being conveyed. These chains have to withstand also the very abrasive or corrosive properties of the material being conveyed. For such purposes, either tempering steels for high tensile loads or case-hardening steels, which guarantee protection against abrasiveness, are used. Corrosion can be reduced or even be eliminated by using corrosion and acid-resistant steel for the production of pins, bushes and connecting elements. Single-strand and twin stranded forged link chains are mainly supplied with pitches ranging from 102 to 260 mm. The double-strand chains are offered with pitches from 142 to 250 mm. Bolts, scrapers and fittings are selected to suit the specific application

These chains are not subject to standardisation, so they are always individually customised solutions. To the multitude of different solutions and design variants, there are of course also matching sprockets with interchangeable segments. In some cases, there are used sprockets or wheels which are split as a whole.





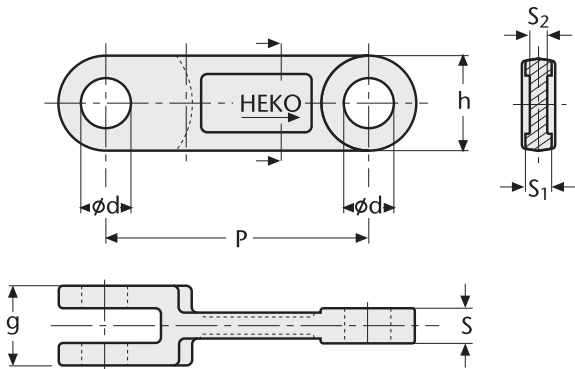
GLK-Coal feeder HEKO single-strand and double-strand forged link chain

Single-strand forged chains

Stated breaking loads apply for forged link chain material 20 Mn Cr5, case hardened. Further materials such as quenched and tempered steel, stainless steel and heat-resistant steel are also available.



Single-strand forged link chain with welded scraper



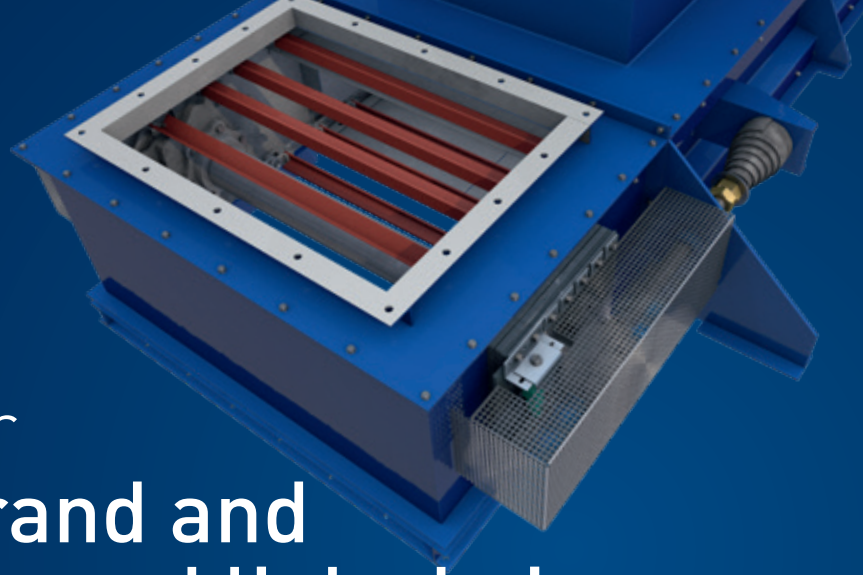
Chain wheel with replaceable toothed segments



Toothless split reversing chain wheels

size p x h x s	pitch p	link height h	dimensions (mm)				section S1	section S2	chain breaking load [kN]
			eye thickness s	fork width g	bore Ø d				
101.6 x 36 x 12	101.6	36	12	30	14	8	6	130	
142.0 x 50 x 19	142.0	50	19	42	25	13	9	270	
142.0 x 50 x 25	142.0	50	25	54	25	16	12	350	
142.0 x 50 x 29	142.0	50	29	62	25	16	12	440	
160.0 x 50 x 25	160.0	50	25	54	25	16	12	350	
175.0 x 60 x 30	175.0	60	30	72/62	30	20	14	440	
200.0 x 60 x 30	200.0	60	30	70	30	20	14	500	
250.0 x 70 x 30	250.0	70	30	70	35	20	14	650	
260.0 x 75 x 30	260.0	75	30	70	32	20	14	650	

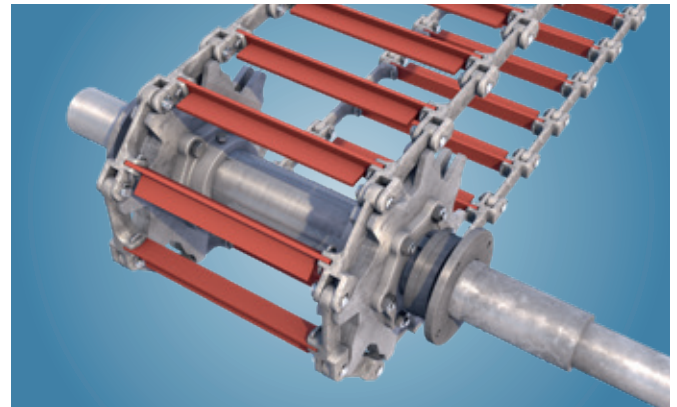
Further dimensions on request.



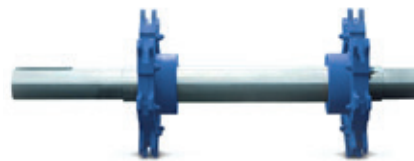
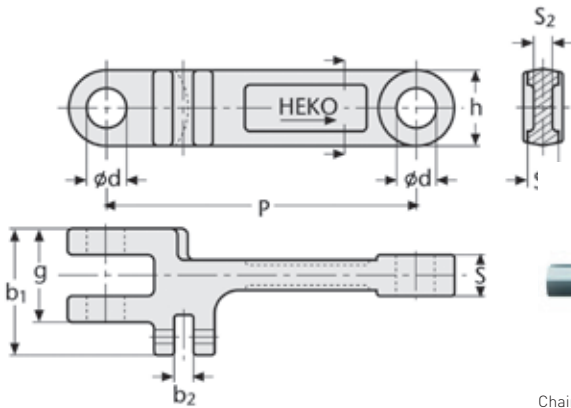
GLK-Coal feeder HEKO single-strand and double-strand forged link chain

Double-strand forged link chain

Stated breaking loads apply for forged link chain material 20 Mn Cr5, case hardened. Further materials such as quenched and tempered steel, stainless steel and heat-resistant steel are also available.



Twin stranded forged link chain assembled with scraper for inclined conveyor



Chain wheels for twin stranded forged link chain, fitted to Shaft



Special forged link chain arrangement for apron conveyor

size	pitch	link height	eye thickness	dimensions (mm)						total width	side slit	chain breaking load (kN)
				fork width	bore	Section	Section	b1	b2			
p x h x s	p	h	S	g	Ø d	S1	S2	b1	b2			
142 x 50 x 19	142	50	19	42	25	13	9	70	13	270		
142 x 50 x 29	142	50	29	62	25	16	12	82	13	440		
175 x 60 x 30	175	60	30	72/62	30	20	14	98	16	440		
200 x 50 x 25	200	50	25	60	25	20	14	82	13	350		
200 x 60 x 30	200	60	30	70	30	20	14	100	16	500		
250 x 60 x 30	250	60	30	70	30	20	14	100	16	500		

Further dimensions on request.