

HEKO

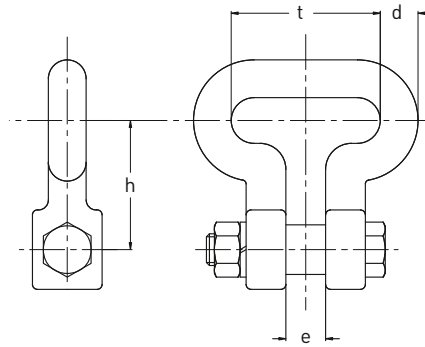
Round link chains

Chain locks

Chain lock type A

Chain locks type A are drop forged, tempered and inductively hardened in the contact areas to improve wear resistance. They are supplied complete with hexagon bolts to DIN 931, grade 8.8. These chain locks are suitable for use with wheels with pocket teeth and projecting teeth.

Normally these chain locks are installed horizontally, but special designs also allow vertical installation. Their material quality is related to the chain quality.



Dimensions and qualities

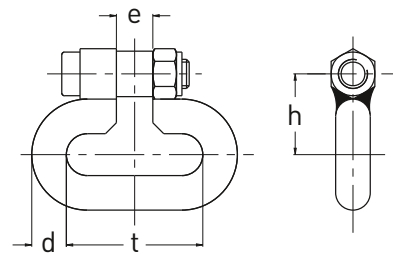
to suit chain diam. x pitch (mm) d x t	DIN chain	dimensions (mm)		weight (kg/each)	hexagon bolt DIN 931 8.8	HEKO qualities, MBK [kN] ₁	
		e	h			tempered HEKO 33	hardened HEKO 42
10 x 35	764	12	40	0.25	M10	94	63
13 x 45	764	15	50	0.45	M12	159	106
14 x 50	WN	16	58	0.50	M12	185	123
16 x 56	764	20	70	0.85	M16	241	160
16 x 64	WN	20	70	0.95	M16	241	160
18 x 63	764	19	65	1.10	M16	305	203
18 x 64	WN	19	65	1.10	M16	305	203
19 x 75	WN	20	65	1.20	M16	340	227
20 x 56	766	22	85	1.20	M20	376	251
20 x 70	764	22	85	1.30	M20	376	251
20 x 80	WN	22	68	1.40	M20	376	251
22 x 86	WN	25	80	1.80	M20	456	304
23 x 80	764	24	89	1.80	M20	498	332
23 x 100	WN	24	78	1.90	M20	498	332
26 x 91	764	31	95	2.50	M20	637	424

Further dimensions and qualities on request. WN = works standard, 1) tolerance -10%, HEKO 32 -20%, MBK = min. breaking load

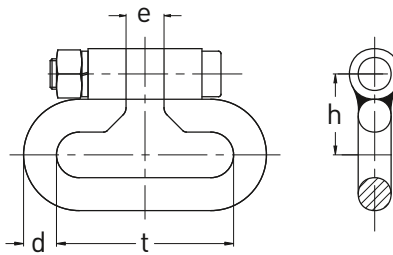
Chain locks type B and type D

HEKO chain locks type B and D are fabricated by welding. These chain locks are supplied complete with head cup screws to DIN 6912, grade 8.8. These chain locks are suitable for use with wheels with pocket teeth and projecting teeth.

Normally these chain locks are installed horizontally, but special designs also allow vertical installation. Their material quality is related to the chain quality.



Chain lock type B with welded nut



Chain lock type D with loose nut

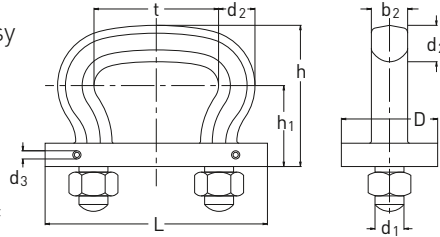
Dimensions and qualities

To suit chain diam. x pitch (mm) d x t	DIN chain	dimensions (mm)		weight (kg/each)	head up screw DIN 6912 8.8	HEKO qualities, MBK (kN) ₁							
		e	h			tempered		hardened					
						HEKO 31	HEKO 32	HEKO 280 E	HEKO 21	HEKO 210 E	HEKO 400 E	HEKO 5	HEKO 350 E
10 x 35	764	12	27.0	0.10	M10	78	94	44	39	33	63	58	55
13 x 45	764	15	32.0	0.20	M12	132	159	74	66	56	106	98	93
14 x 50	WN	16	34.5	0.24	M12	154	185	86	77	65	123	114	108
16 x 56	764	18	39.5	0.35	M14	201	241	112	100	84	160	148	140
16 x 64	WN	18	39.5	0.35	M14	201	241	112	100	84	160	148	140
18 x 63	764	20	41.0	0.50	M16	254	305	142	127	107	204	188	178
20 x 70	764	22	48.5	0.75	M20	314	376	175	157	132	251	232	220
23 x 80	764	25	54.0	1.10	M20	415	498	232	207	174	332	307	290
26 x 91	764	28	59.0	1.60	M20	530	637	298	265	223	425	392	371
30 x 105	764	33	70.5	2.60	M24	706	848	395	353	296	565	523	494
36 x 126	764	39	84.0	4.45	M30	1017	1221	570	508	428	814	753	712

Further dimensions and qualities on request. WN = works standard, 1) tolerance -10%, HEKO 32/HEKO 400E -20%, MBK = min. breaking load

Chain lock type E

A HEKO chain lock for heavy-duty applications. Easy to fit and with double security by means of the use of nuts and split pins. Suitable for use with pocket toothed and projecting toothed wheels, as well as in vertical and horizontal position. If used as a horizontal link combine with projecting teeth and if used as a vertical link combine with pocket wheels.



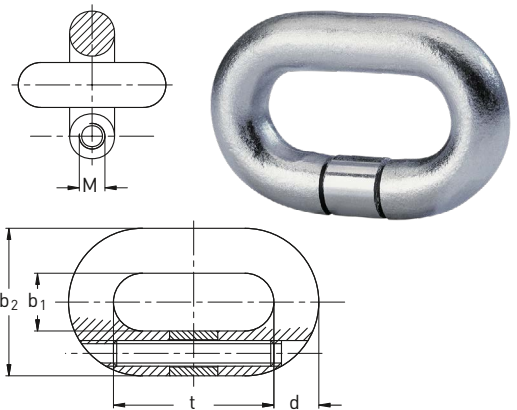
Dimensions and qualities

pitch (mm) t	to suit chain diam. x pitch/DIN	weight (kg/each)	dimensions (mm)								HEKO qualities , MBK [kN] ₁	
			b ₂	d ₂	d ₃	d ₁	h	h ₁	D	L	tempered HEKO 33	hardened HEKO 6
45	13 x 45 / 764	0.53	14	14	5	M12	64.5	40.5	37	75	159	106
56	16 x 56 / 764	0.70	16	16	5	M14	68.0	40.0	40	95	240	160
63	18 x 63 / 764	1.00	18	18	5	M16	74.0	43.0	50	110	330	220
70	20 x 70 / 764	1.45	20	20	5	M20	83.0	48.0	50	120	420	280
80	23 x 80 / 764	1.85	23	23	5	M20	92.0	53.0	50	130	540	360
91	26 x 91 / 764	2.70	26	26	6	M24	104.0	60.0	60	155	675	450
105	30 x 105 / 764	3.90	30	30	6	M24	118.0	68.0	60	165	945	630
126	36 x 126 / 764	6.10	35	35	8	M30	139.0	81.0	70	200	1290	863
136	39 x 136 / 764	7.60	38	38	8	M36	152.0	88.0	80	220	1432	955
147	42 x 147 / 764	9.00	42	40	8	M36	162.0	93.0	80	230	1720	1160

1) tolerance -10%, HEKO 32 -20%, MBK = min. breaking load

Chain lock type C

HEKO chain locks type C are suitable either horizontal or upright position while using pocket- or inside toothed chain wheels. If used with untoothed grooved wheels should be installed in a vertical position to minimize bending forces. The grub screw (with internal hexagon) is protected by a spacer sleeve. These chain locks are supplied in a tempered or hardened finish. Dimensions are completely compatible with the corresponding chain.



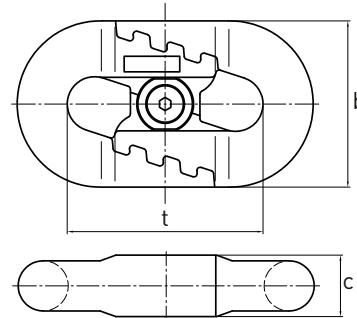
Dimensions and qualities

to suit chain diam. x pitch (mm) d x t	DIN chain	dimensions (mm)		weight (kg/each)	grub screw M	HEKO qualities , MBK [kN] ₁							
		inner width b ₁	outer width b ₂			tempered		hardened					
						HEKO 31	HEKO 32	HEKO 280 E	HEKO 21	HEKO 210 E	HEKO 400 E	HEKO 5	HEKO 350 E
8 x 24.0	766	9.6	27.2	0.05	M5 x 25	37	45	21	18	15	30	27	26
8 x 25.4	WN	10.0	26.0	0.05	M5 x 30	37	45	21	18	15	30	27	26
9 x 27.0	766	10.8	30.6	0.06	M5 x 30	47	57	26	24	19	38	35	33
10 x 35.0	764	14.0	36.0	0.07	M6 x 35	58	70	33	29	24	47	43	41
10 x 50.0	762	14.0	36.0	0.09	M6 x 50	58	70	33	29	24	47	43	41
11 x 31.0	766	13.2	40.0	0.09	M6 x 35	71	85	39	35	30	57	52	49
13 x 45.0	764	18.0	47.0	0.16	M8 x 40	99	119	55	49	42	79	73	69
14 x 50.0	WN	16.3	47.0	0.21	M8 x 50	115	138	64	57	48	92	85	81
16 x 56.0	764	22.0	58.0	0.30	M10 x 55	150	180	84	75	63	120	111	105
16 x 64.0	WN	20.0	55.0	0.34	M10 x 60	150	180	84	75	63	120	111	105
16 x 80.0	762	22.4	57.6	0.38	M10 x 80	150	180	84	75	63	120	111	105
18 x 63.0	764	24.0	65.0	0.41	M10 x 60	190	228	106	95	80	153	141	133

Further dimensions and qualities on request. WN = works standard, 1) tolerance -10%, HEKO 32/HEKO 400E -20%, MBK = min. breaking load

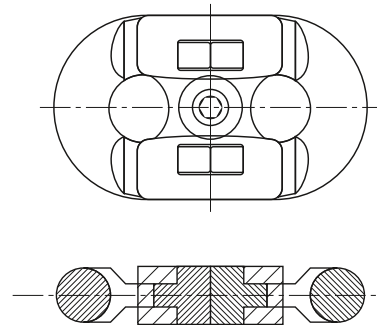
Chain locks type HF

Chain locks type HF are suitable for long chain strands. The physical characteristics and dimensions of the chain locks are related to the corresponding chain. The chain can be mounted easy and quick. The chain lock can only be mounted in a vertical position.



Chain locks type HR

Chain locks type HR are used to combine long chain strands. The grade and dimensions of the chain locks are adjusted to the grade and dimensions of the chain. The chain lock can be mounted very simple as the chain only needs to be slackened slightly. The connector should be installed upright to guarantee a flawless operation.



Dimensions and qualities

to suit chain (diam. x pitch, mm) d x t	Dimensions (mm)		weight (kg/each)	type
	Height b	Width c		
14 x 50	47.0	15.0	0.25	HR
14 x 64	47.0	15.0	0.25	HR
16 x 64	56.0	17.5	0.50	HR
19 x 75	64.5	20.5	0.80	HR
22 x 86	74.0	25.5	1.90	HF
25 x 95	89.0	29.0	2.20	HF
26 x 92	87.0	29.5	2.40	HF
26 x 100	87.0	29.5	2.40	HF
30 x 108	100.0	36.0	2.90	HF
30 x 120	105.0	36.0	3.20	HF
34 x 126	117.0	40.0	4.20	HF
34 x 136	117.0	40.0	4.20	HF
36 x 126	117.0	40.0	4.50	HF
38 x 144	133.0	45.0	5.20	HF