

BFK trough chain conveyors HEKO chains, sprockets and scrapers

Bush conveyor chains, sprockets and scrapers for trough chain conveyors

HEKO supplies bush conveyor chains according to DIN 8165 and DIN 8175 as well as chains according to customer requirements. They are used mainly as double-strand chains. HEKO offers its customers a service through technical advice and visits to find individual solutions on site. Due to the level of diversity, HEKO offers plenty of options to meet the individual requirements of the customers. These chains usually have pitches of 160, 200, 250 and 315 mm. The nominal sizes of the bushings and bolts are made according to DIN or according to customer requirements. Chains with or without protective rollers or with or without lubrication system are part of our standard delivery program.

Of course, this includes the matching sprockets with or without interchangeable tooth segments, as well as complete drive-, reversing- and tensioning stations.

In the own in-house production HEKO manufactures stable and wear-resistant flights / scrapers according to your requirements and specifications. We assist you also in the optimization of your conveyor application.

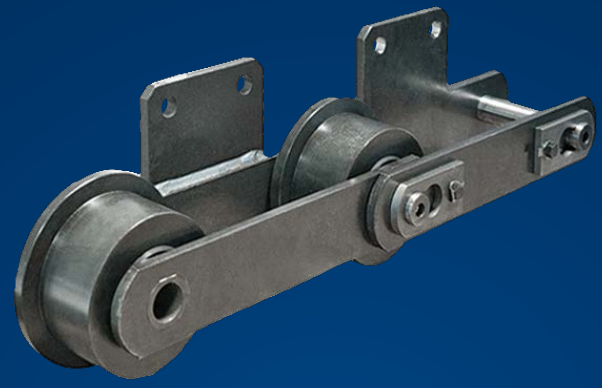


Drive sprocket with exchangeable tooth segments

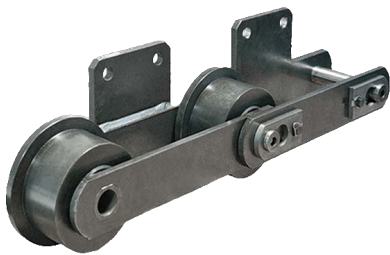


Sprocket with exchangeable tooth segments - with enlarged tooth gaps





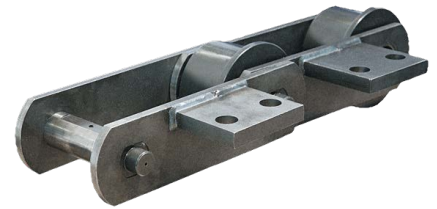
BFK trough chain conveyors HEKO chains, sprockets and scrapers



Bush conveyor chain with collared rollers and welded on attachments – top fixing

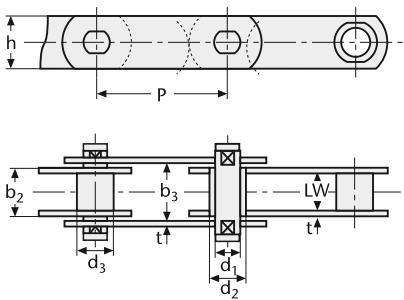


Bush conveyor chains with collared rollers and attachments holes in the outer and inner link

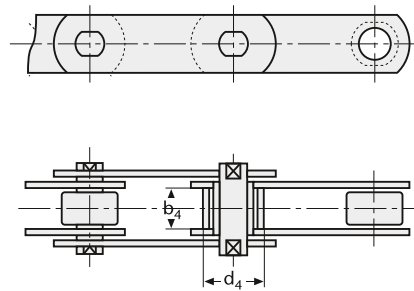


Bush conveyor chain with collared rollers and welded on attachments – side fixing

Bush conveyor chain (standard version) DIN 8165



Without rollers

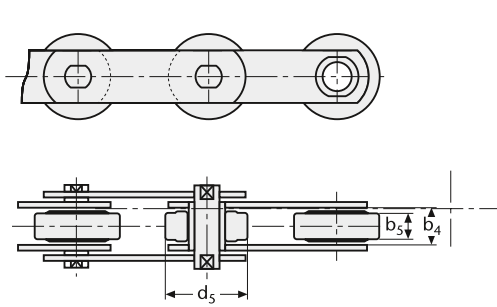


With rollers type A according to DIN 8166

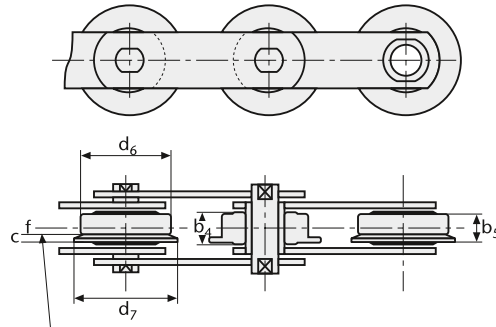
DIN 8165 type	pitch				dimensions (mm)																	MBK [kN]				
	LW	b ₂	b ₃	b ₄	b ₅	b ₆	c	d ₁	d ₂	d ₃	d ₄	d ₅	d ₆	d ₇	f	h	t									
FV 112	100	125	160	200	250	-	-	-	30	42.5	43	29	28	36	2.5	16	16.1	22	32	55	72	87	5	40	6	112
FV 140	100	125	160	200	250	315	-	-	35	47.5	48	34	32	40	3	18	18.1	26	36	60	80	95	6	45	6	140
FV 180	-	125	160	200	250	315	400	-	45	61.5	62.5	44	42	50	3	20	20.2	30	42	70	100	120	10	50	8	180
FV 250	-	125	160	200	250	315	400	-	55	72	73	54	50	57	3.5	26	26.2	36	50	80	125	145	11.5	60	8	250
FV 315	-	-	160	200	250	315	400	-	65	86	87	64	60	66.5	3.5	30	30.2	42	60	90	140	170	14.5	70	10	315
FV 400	-	-	160	200	250	315	400	-	70	96	97	68	64	75.5	3.5	32	32.2	44	60	100	150	185	16.5	70	12	400
FV 500	-	-	160	200	250	315	400	500	80	106	107	78	72	80.5	3.5	36	36.2	50	70	110	160	195	17.5	80	12	500
FV 630	-	-	-	200	250	315	400	500	90	116	117	88	80	86.5	4.5	42	42.2	56	80	120	170	210	17.5	100	12	630

MBK = min. breaking load

Bush conveyor chain (standard version) DIN 8167



With rollers type A and C according to DIN 8166 (illustrated with rollers type B)



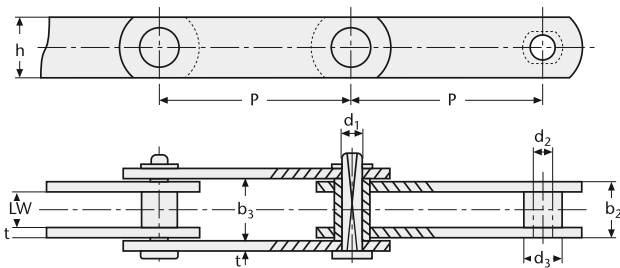
With rollers type D and E according to DIN 8166 Outside edge of the guide rail (illustrated with rollers type D)

DIN 8167 type	pitch p						dimensions (mm)																MBK (kN)		
	80	100	125	160	200	250	315	b ₁	b ₂	b ₃	b ₄	b ₅	b ₆	c	d ₁	d ₂	d ₃	d ₄	d ₅	d ₆	d ₇	f		h	t
M 112	80	100	125	160	200	250	315	32	45	45.5	31	29	50.5	2.5	15	15.1	21	30	60	70	18	5	40	6	112
M 160	100	125	160	200	250	315	400	37	52	52.5	36	34	58.5	3	18	18.1	25	36	70	85	21	5.5	50	7	160
M 224	125	160	200	250	315	400	500	43	60	60.6	42	40	67	3	21	21.2	30	42	85	100	25	7	60	8	224
M 315	160	200	250	315	400	500	630	48	70	70.7	47	45	77	3	25	25.2	36	50	100	120	30	7.5	70	10	315
M 450	200	250	315	400	500	630	800	56	82	82.2	55	51	92.5	3.5	30	30.2	42	60	120	140	35	8	80	12	450
M 630	250	315	400	500	630	800	1000	66	96	97	65	61	107	3.5	36	36.2	50	70	140	170	42	11	100	14	630
M 900	250	315	400	500	630	800	1000	78	112	113	76	70	127	3.5	44	44.2	60	85	170	210	50	13.5	120	16	900

MBK = min. breaking load

Bush conveyor chain (heavy duty) DIN 8175

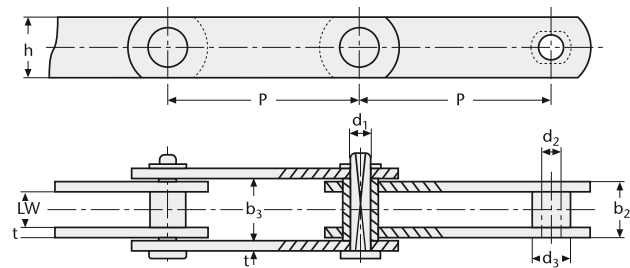
DIN 8175



DIN 8175 type	dimensions (mm)									MBK (kN)
	P	LW	b ₂	b ₃	d ₁	d ₂	d ₃	h	t	
F 200	160	30	46.5	47	20	20.3	32	50	8	200
F 315	160	45	63.5	64	26	26.3	40	65	9	315
F 400	160	45	65.5	66	26	26.3	40	70	10	400
F 500	160	60	80.5	81	26	26.3	40	80	10	500
F 800	160	60	84.5	85	30	30.3	44	90	12	800

MBK = min. breaking load

similar to DIN 8175



similar DIN 8175 type	dimensions (mm)									MBK (kN)
	P	LW	b ₂	b ₃	d ₁	d ₂	d ₃	h	t	
F 200	250	30	46.5	47	20	20.3	32	50	8	200
F 315	250	45	63.5	64	26	26.3	40	65	9	315
F 400	250	45	65.5	66	26	26.3	40	70	10	400
F 500	250	60	80.5	81	26	26.3	40	80	10	500
F 800	250	60	84.5	85	30	30.3	44	90	12	800

MBK = min. breaking load