

# HEKO chain wheels toothless

## HEKO steel tension wheels, type GUE and VUE

- Large cleaning openings
- Supplied with or without outside guide disc
- For all chain dimensions
- Small wheels turned from one piece (VUE) otherwise welded construction (GUE)
- Suitable for HEKO system TS and SMO and some special attachments
- Rim surface hardened for long service life

| PCD (mm) | to suit chain nominal diameter (mm) | dimensions (mm) |     |     | weight (kg/piece) |
|----------|-------------------------------------|-----------------|-----|-----|-------------------|
|          |                                     | a               | b   | c   |                   |
| Tk Ø     | d                                   |                 |     |     |                   |
| 400      | 19                                  | 24              | 64  | 140 | 54                |
| 400      | 22                                  | 27              | 73  | 140 | 57                |
| 400      | 26                                  | 32              | 82  | 160 | 60                |
| 522      | 26                                  | 32              | 82  | 160 | 80                |
| 522      | 30                                  | 36              | 96  | 200 | 100               |
| 526      | 34                                  | 42              | 112 | 200 | 160               |
| 522      | 36                                  | 42              | 112 | 220 | 165               |
| 650      | 42                                  | 50              | 130 | 220 | 200               |

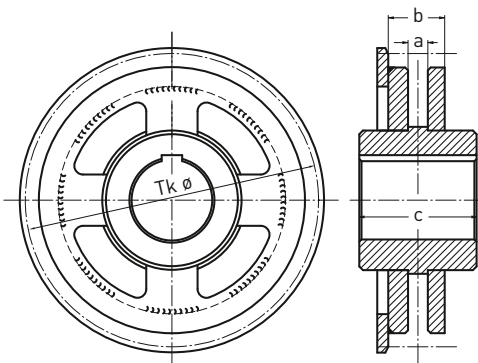
Tk = PCD, d = diameter  
Other dimensions and executions on request.



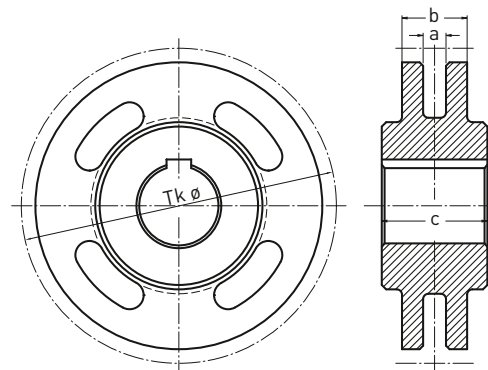
HEKO steel tension wheel type GUE I



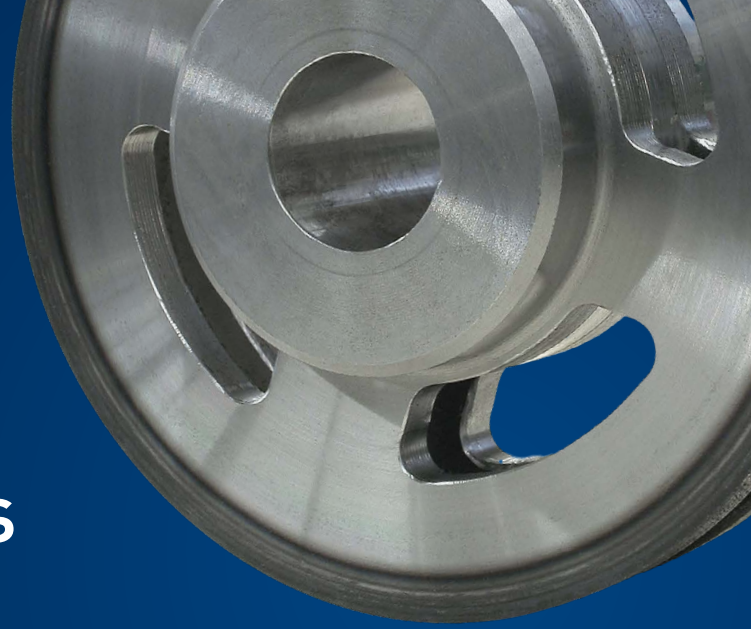
HEKO steel tension wheel type VUE



HEKO steel chain wheels, toothless, type GUE I



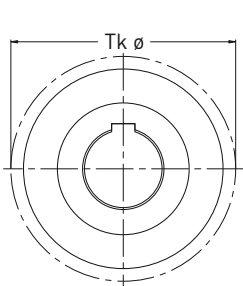
HEKO steel tension wheels type VUE



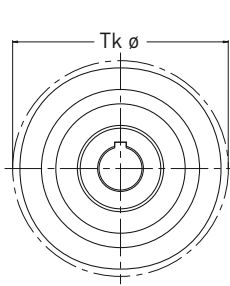
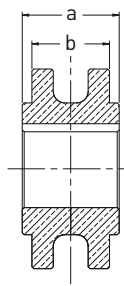
# HEKO chain wheels toothless

## HEKO support and snub wheel type, toothless, type VUE, GUE and GGE

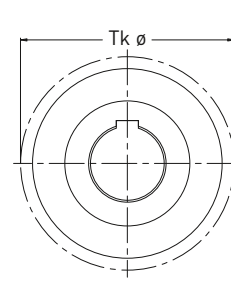
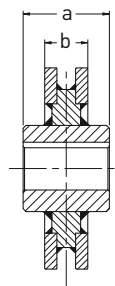
- Suitable as tension wheel
- Bore and hub on request (GGE has own models)
- Supplied with and without guide disc
- Suitable with chains as per DIN764 and works standard
- Suitable with chain shackles, special links, plug-in attachments SMO and other special solutions
- The alternative to guide rails in horizontal and inclined conveying



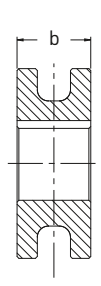
HEKO support idling wheel type VUE, machined from steel



HEKO support idling wheel type GUE, welded steel design



HEKO support idling wheel type GGE, in cast iron



| PCD (mm)<br>Tk ø | to suit chain nominal diameter (mm)<br>d | dimensions (mm) |     | weight ca. (kg/piece) |
|------------------|--|-----------------|-----|-----------------------|
|                  |  | a               | b   |                       |
| 120              | 10                                       | 60              | 40  | 4                     |
| 146              | 13                                       | 70              | 48  | 6                     |
| 162              | 16                                       | 80              | 50  | 7                     |
| 240              | 18                                       | 90              | 53  | 14                    |
| 260              | 20                                       | 100             | 60  | 26                    |
| 309              | 23                                       | 100             | 80  | 41                    |
| 352              | 26                                       | 110             | 90  | 52                    |
| 340              | 30                                       | 120             | 105 | 55                    |
| 408              | 36                                       | 140             | 125 | 80                    |

Tk = PCD, d = diameter  
Other dimensions and executions on request.